

## FEATURES

- High reliability
- Simple construction (only 3 component parts)
- Over-moulding manufacturing technique
- Plastic or metal clip versions available
- Various fixation means: clip type (inward/outward actuating), locating pins,...

## TYPICAL APPLICATIONS

Provides a low cost, highly reliable solution for all position sensing applications:

- Automotive seat position memory, central locking, headlamp position and rear-view mirror position sensors.

## MECHANICAL SPECIFICATIONS

Mechanical travel:

- NPL07.....7,25mm
- NPL08.....8mm
- NPL12.....12mm

Electrical travel: (see how to order)

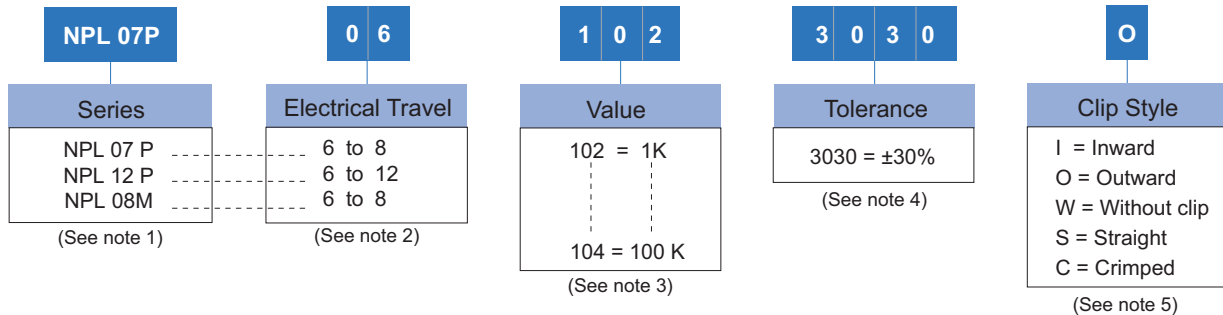
Sliding force: ≤ 2N @ 10mm/sec  
 Stop strength: 30N for 5 secs

## ELECTRICAL SPECIFICATIONS

Range of values: 1K to 100K ohms  
 Tolerance: ± 30%  
 Max. voltage\*: 50 VDC to 100 VDC  
 Power rating\*: 0.20 W @ 50°C  
 Operating temperature: -40°C to +105°C  
 Taper\*\*: Linear  
 Relative linearity\*\*: ± 2%  
 Mechanical Life: 50k cycles

\* Depending on model \*\* Others upon request

## HOW TO ORDER



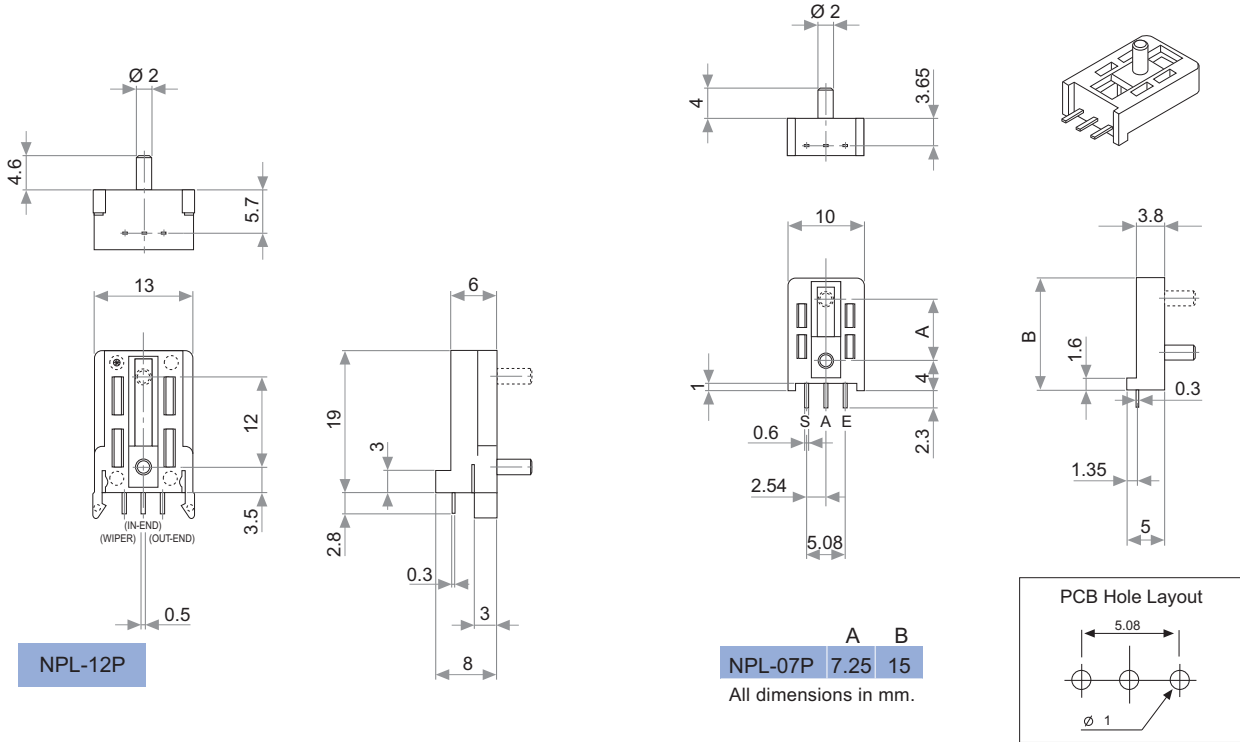
### NOTES:

- (1) Suffixes: P = Plastic, M= Metal
- (2) Each NPL series has its own Electrical Travel range as shown.
- (3) Value Example: Code: 10 2 → 1kΩ  
 Number of zeros  
 First two digits of the value.
- (4) Non standard tolerance, upon request. Example: +25% Code: 25 20  
 -20% → negative tolerance  
 positive tolerance
- (5) S and C options only available for NPL08M (metal version)  
 W option only available for NPL07P  
 I and O options only available for NPL12P

NOTE: The information contained here should be used for reference purposes only.  
 This project has been financially supported by the Spanish Technological Development Institute (CDTI).

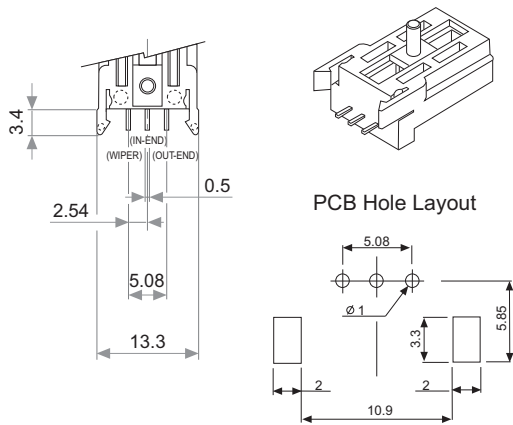


# PLASTIC VERSIONS

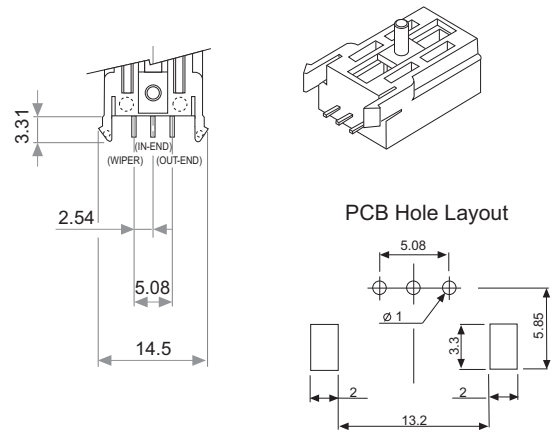


# CLIP STYLE DETAILS (FOR NPL12P)

## INWARD FACING CLIPS

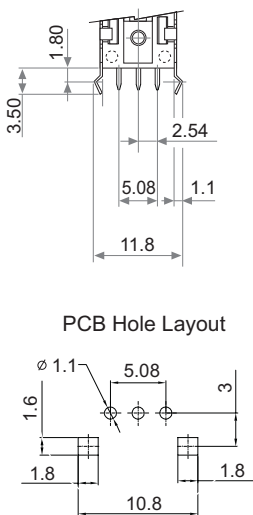


## OUTWARD FACING CLIPS



# METAL VERSION (NPL08M)

## CRIMPED



## STRAIGHT

