

### HOW TO ORDER

- Carbon resistive element.
- Dust proof enclosure.
- Shielded versions.
- Stackable.
- Upon request:
  - Cut track at initial or final position.
  - Taps

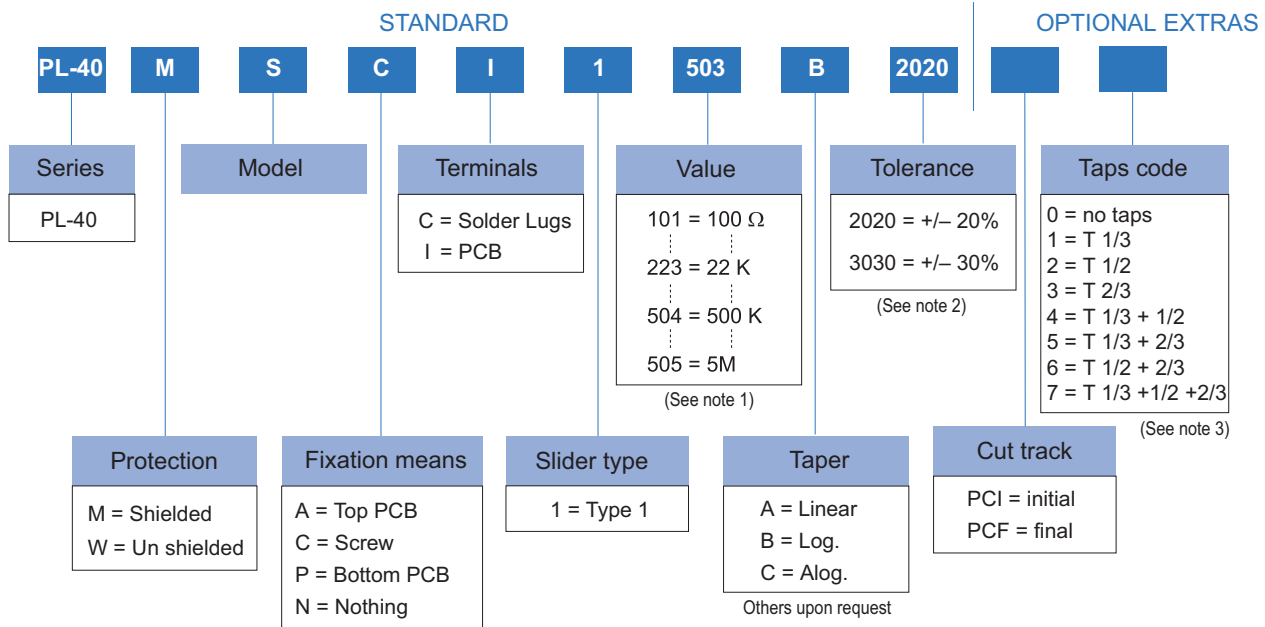
### MECHANICAL SPECIFICATIONS

- Mechanical travel: 40 mm.  $\pm 1$  mm.
- Electrical travel: 37 mm.  $\pm 1$  mm.
- Sliding force: 1 to 3 N (3.6 to 10 oz)
- Stop torque force: > 50 N (179 oz)

### ELECTRICAL SPECIFICATIONS

- Range of values (\*)  
 $100\Omega \leq R_n \leq 5\text{ M}$  (Decad. 1.0 - 2.0 - 2.2 - 2.5 - 4.7 - 5.0)
  - Tolerance (\*):  $100\Omega \leq R_n \leq 1\text{M}\Omega$  .....  $\pm 20\%$   
 $1\text{M}\Omega < R_n \leq 5\text{M}\Omega$  .....  $\pm 30\%$
  - Max. Voltage: 500 VDC (lin) 350 VDC (no lin)
  - Nominal Power 50°C (122°F)  
 0.3 W (lin) 0.15 W (no lin)
  - Taper (\*) (Log. & Alog. only  $R_n > 1\text{K}$ ) Lin ; Log; Alog.
  - Residual resistance:  $\leq 0.5\% R_n$  (5  $\Omega$  min.)
  - Equivalent Noise Resistance:  $\leq 3\% R_n$  (3  $\Omega$  min.)
  - Operating temperature\*\*:  $-25^\circ\text{C} + 70^\circ\text{C}$  ( $-13^\circ\text{F} + 158^\circ\text{F}$ )
- \* Others upon request      \*\* Up to 85°C depending on application

### HOW TO ORDER



#### NOTES:

(1) VALUE: Code: 10 1 100 $\Omega$   
 Number of zeros  
 2 first digits of the value.

(2) TOLERANCE (non standard), upon request. Example code: +15 15 20  
 -20  
 negative tolerance  
 positive tolerance

(3) 1,2,3,4,5,6,7 Upon request

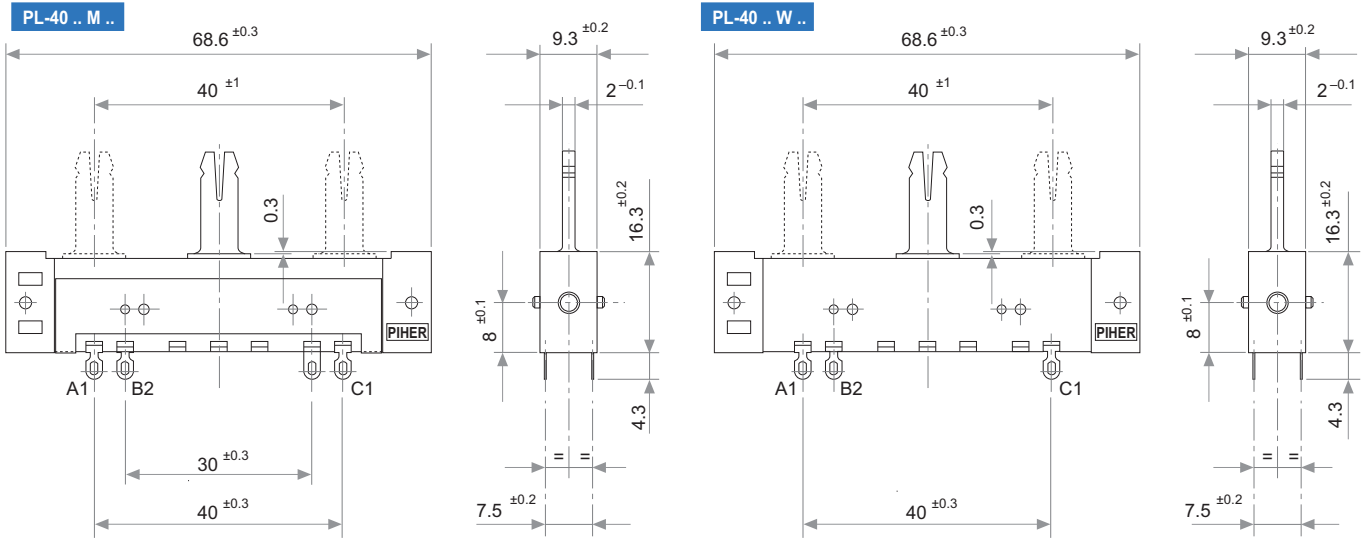
NOTE: The information contained here should be used for reference purposes only.

PT-40 W S C I 1 + DRAWING NUMBER (Max. 16 digits)

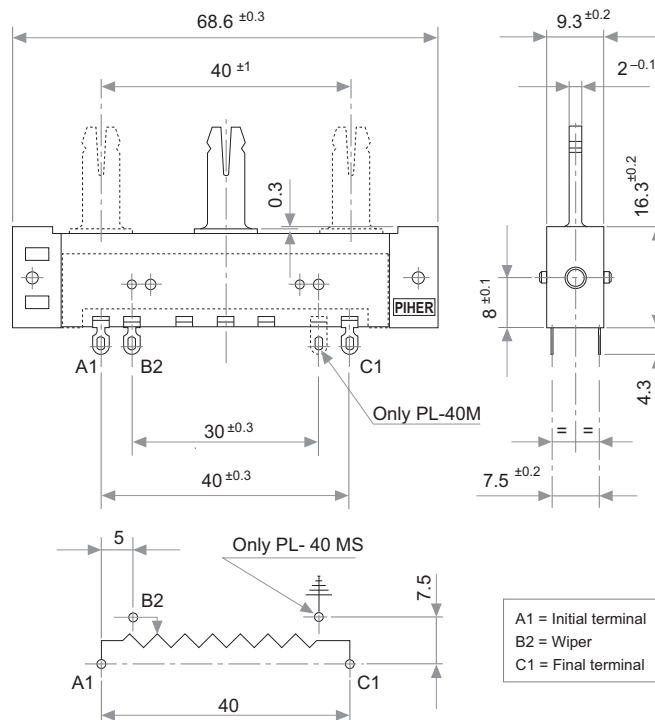
Cut track ..... No

This way of ordering should be used for options which are not included in the "How to order" standard and optional extras.

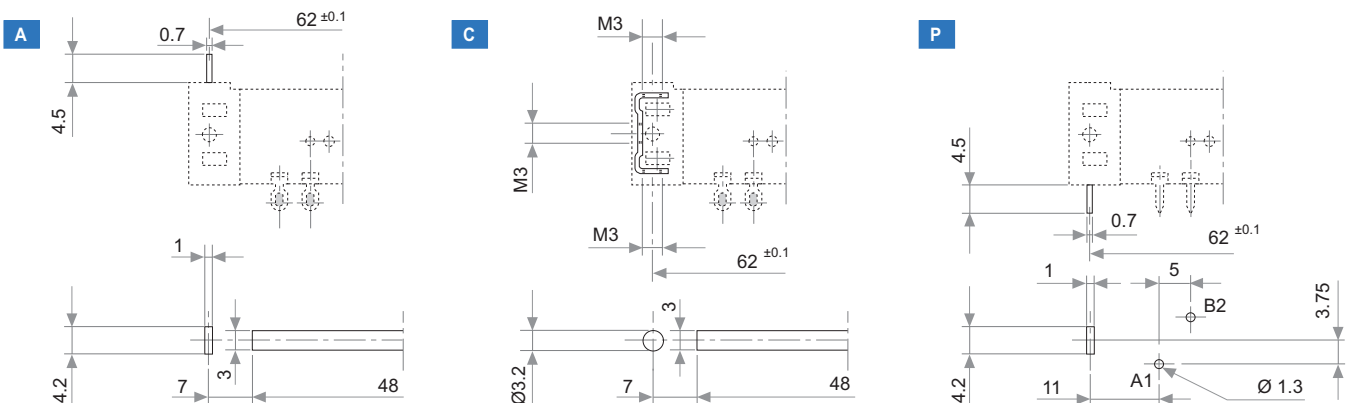
PROTECTION



MODEL

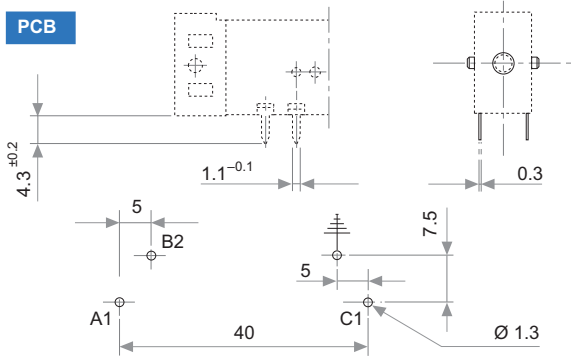


FIXATIONS MEANS

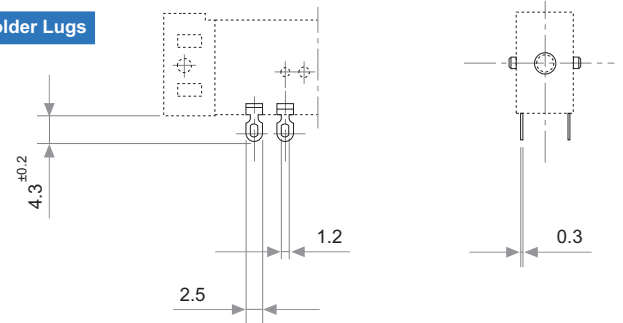


## TERMINALS

### PCB

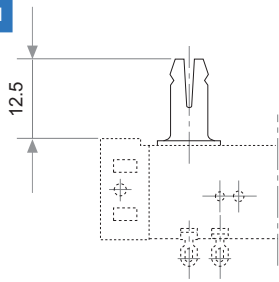


### Solder Lugs

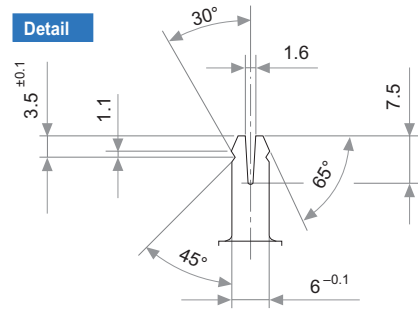


## SLIDER

### Type 1

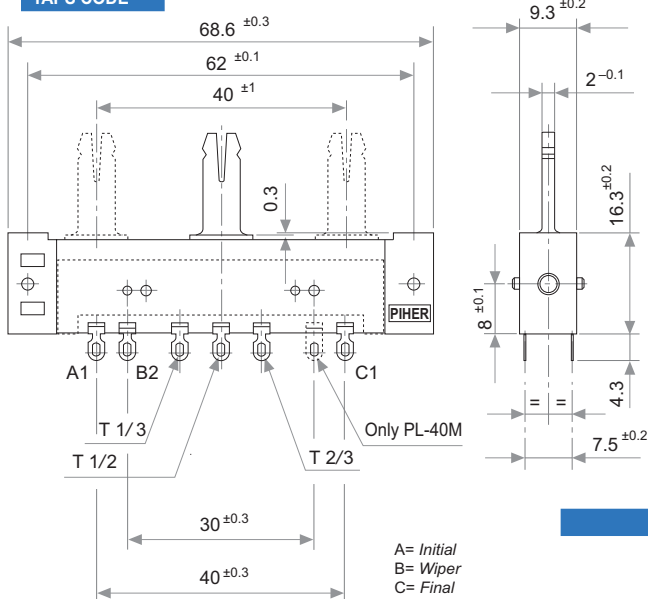


### Detail

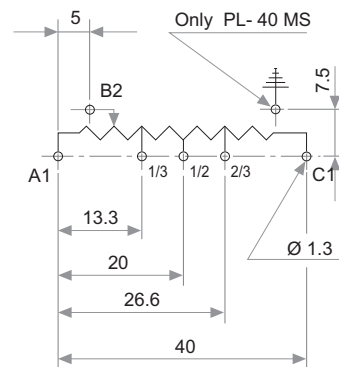


## OPTIONS

### TAPS CODE



A1 = Initial terminal  
B2 = Wiper  
C1 = Final terminal



### SCHEME CUT-TRACK PL-40



## TESTS

## TYPICAL VARIATIONS

ELECTRICAL LIFE	1.000 h.@ 50°C ; 0.3W	± 5 %
MECHANICAL LIFE	25.000 cycles	± 3 %
T C R	-25°C ; 70°C (13° F, + 158° F)	±300 ppm/°C (Rn < 100 KΩ)
THERMAL CYCLING	16 h. @ 85°C ; 2h. @ -25°C	± 2.5 %
DAMP HEAT	500 h. @ 40°C @ 95% HR	± 5 %
VIBRATION (for each plane X,Y,Z)	2 h. @ 10 Hz ... 55 Hz.	± 2 %

## PACKAGING

Polystyrene tray of 100 units.