



FEATURES

- 3 or 6 pulses per revolution (standard)
- SMD or Through-hole Mount
- Working Temperature Range (-40°C to +120°C)
- Low Profile (4.4 mm)
- Embossed Tape (SMD) or Bulk packaging (Through hole)
- Reflow Soldering capability
- Shaft insertable from both sides
- Polarised "T" rotor (European Home Appliance standard)
- All PT/ PTC 15 shafts compatible

STANDARD SPECIFICATIONS

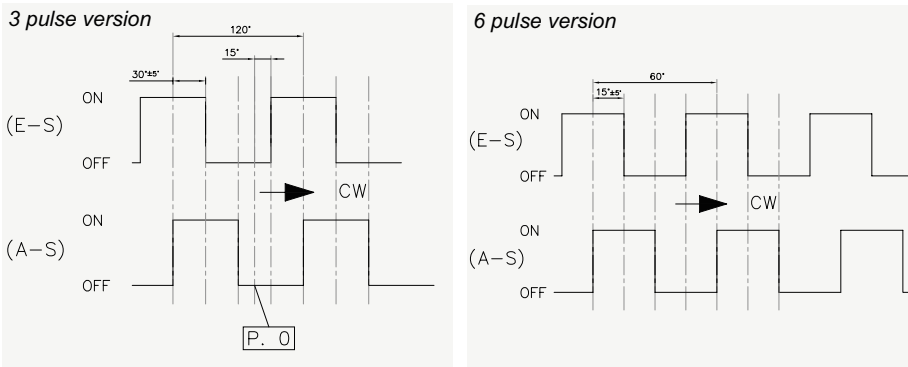
Closed Contact Resistance:	< 5Ω
Open Contact Resistance:	> 10MΩ
Contact Current:	10μA – 100mA
Operating Voltage:	16 VDC (3 pulse) 13.5±0.2 VDC (6 pulse)
Number of pulses	3 or 6
Mechanical Life:	36K cycles (3 pulse) 10k (6 pulse)
Rotational Torque:	<2Ncm
Mechanical rotation angle:	360° (endless)
Temperature Range:	-40°C to +120°C

TYPICAL APPLICATIONS

The N-15 potentiometer/sensor series has been expanded to incorporate both encoders and rotary switches in the same package configuration allowing the user to design in any one of the three options whilst keeping the same board layout and user interface. The extended temperature range (-40°C to +120°C) allows the encoder to be employed in extreme environmental applications where other encoders currently on the market can not be used. This in combination with optional SMD or through-hole mounting makes the E-15 series ideal for Automotive Heating, Ventilation & Air conditioning, Oven & Microwave (White and Brown goods in general), Kitchen Appliance and Power Tool Controls.

GRAPH CODE

TERMINAL DESIGNATIONS



HOW TO ORDER

E-15	T	S	03
Series	Rotors	Mounting Method	Pulses
E-15	T	V = Through Hole S = SMD H = Horizontal Adjust	03 06

(See note 1)

NOTES:

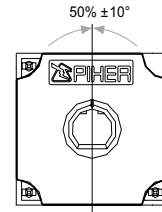
(1) Horizontal adjust versions will be studied case by case

Shafts are not available mounted to the encoder and should be ordered separately

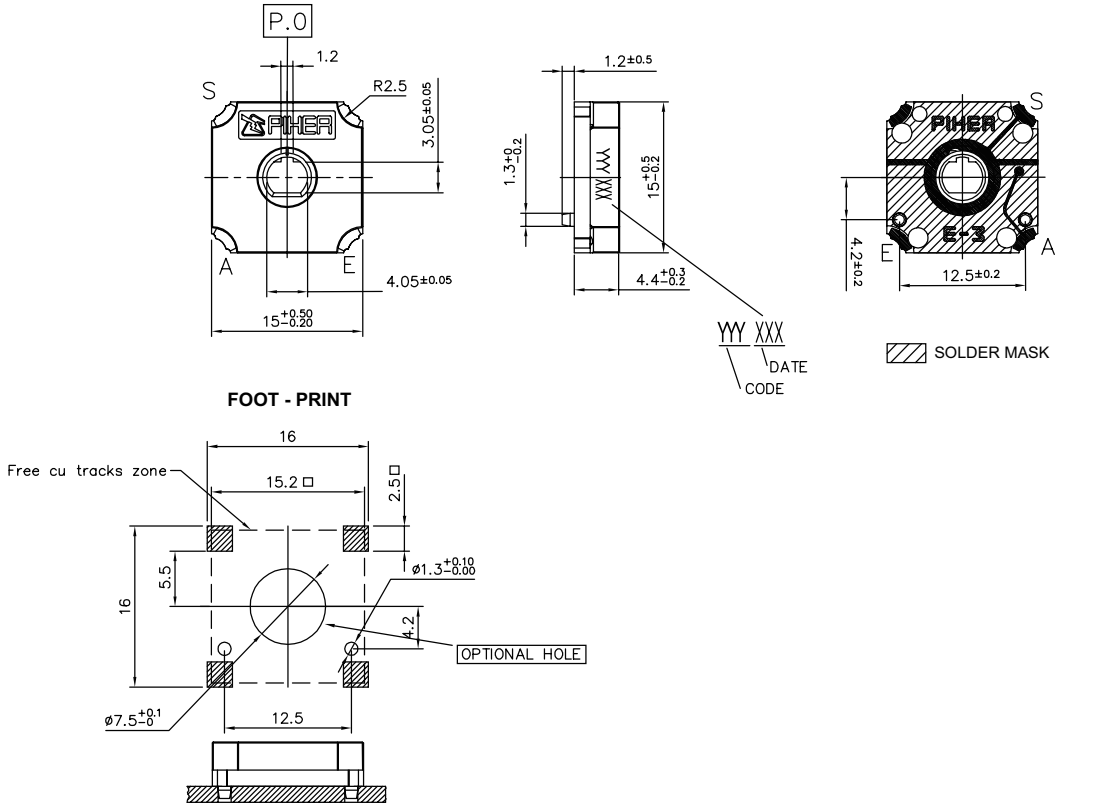
Please note that the features and specifications of custom products are to be used as general guidelines only

E-15 T S + DRAWING NUMBER (Max. 16 digits)

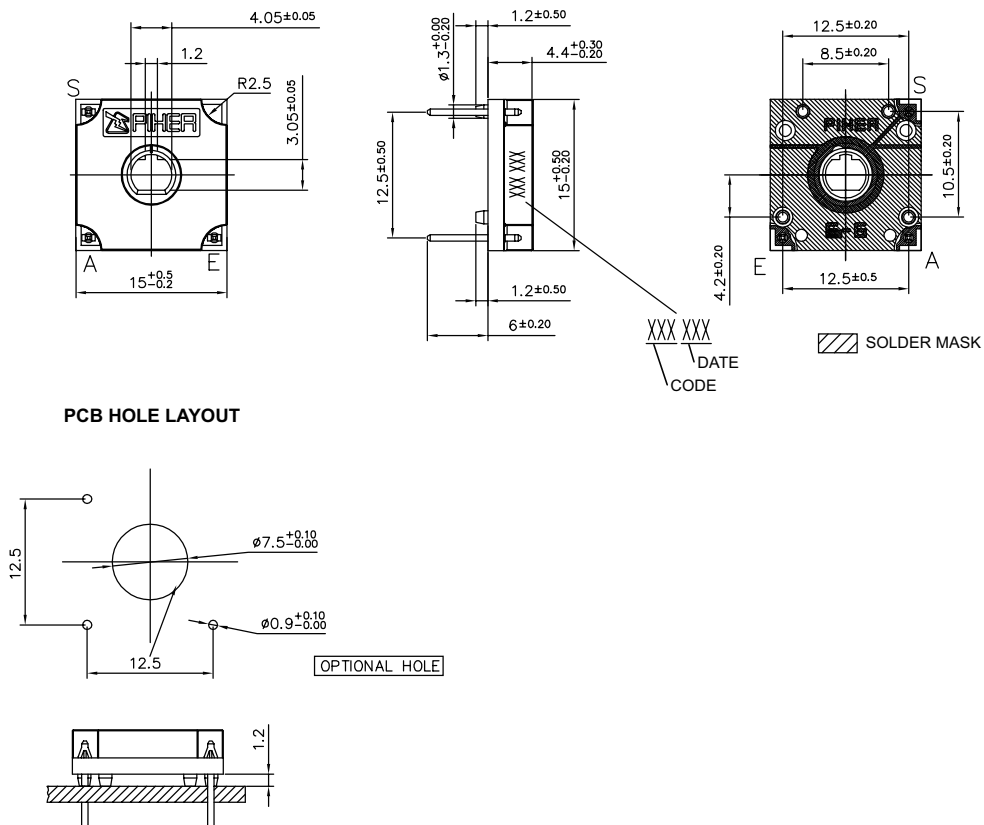
This way of ordering should be used for options which are not included in the "How to order" standard and optional extras.



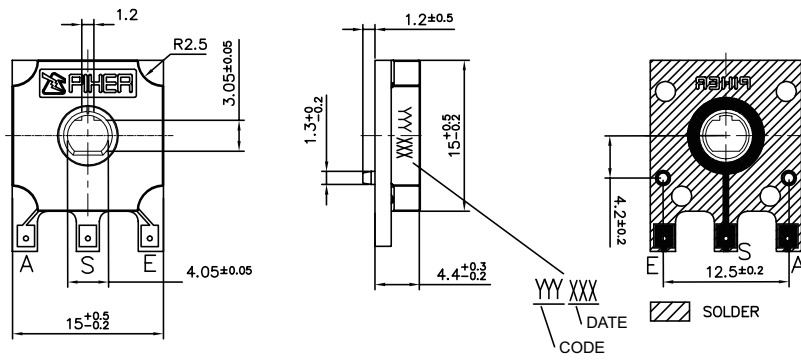
SMD VERSION



THROUGH HOLE VERSION



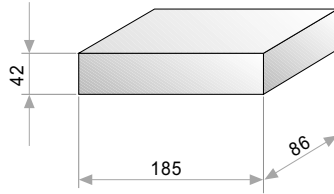
HORIZONTAL ADJUST - VERTICAL MOUNT



PACKAGING

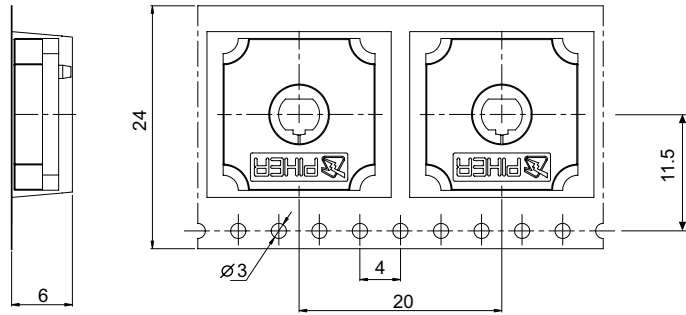
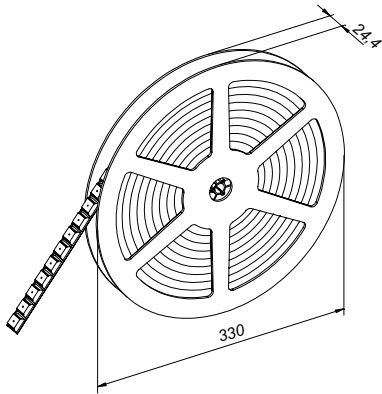
BULK

150 Units per box.
Through hole version only

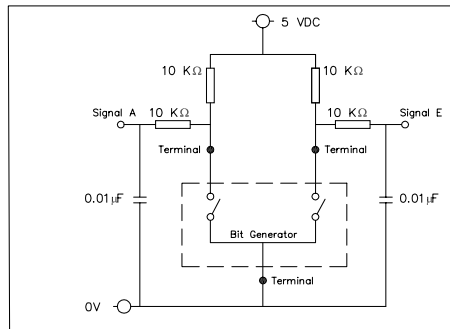


TAPE ON REEL

500 Units per reel.
SMD type only.

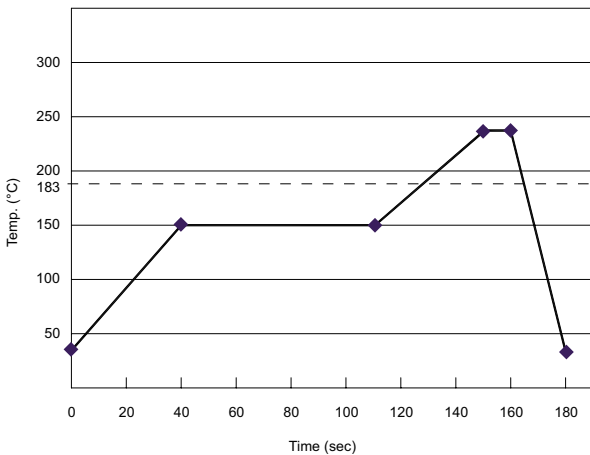


TEST CIRCUIT DIAGRAM



RECOMMENDED REFLOW PROFILE (SMD types)

SnPb Reflow Profile



Lead Free Reflow Profile

