

FEATURES

- 2 and 6 positions versions (standard)
- SMD or Through-hole Mount
- Low Profile (4.4 mm)
- Embossed Tape (SMD) or Bulk packaging (Through hole)
- Reflow Soldering capability
- Shaft insertable from both sides
- Polarised "T" rotor (European Home Appliance standard)
- All PT/ PTC 15 shafts compatible

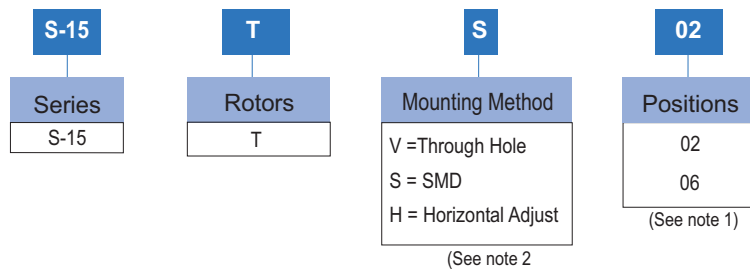
STANDARD SPECIFICATIONS

Closed Contact Resistance:	< 5Ω
Open Contact Resistance:	> 10MΩ
Contact Current:	10μA – 100mA
Operating Voltage:	16 VDC (6 positions) 13.5±0.2 VDC (2 positions)
Number of Positions	2, 6, 10
Temperature Range:	-40°C to +85°C
Rotational Torque:	<2Ncm
Mechanical Rotation Angle:	360° (endless)
Mechanical Life:	35k cycles (6 positions) 15k cycles (2 positions)

TYPICAL APPLICATIONS

The N-15 potentiometer/sensor series has been expanded to incorporate both encoders and rotary switches in the same package configuration allowing the user to design in any one of the three options whilst keeping the same board layout and user interface. The S-15 switch series has been specifically designed to offer a flexible and customisable rotary switch solution for the Automotive industry typically employed as multi-position interior/exterior lighting, Traction or Airbag enable/disable controls. The technology developed for the aforementioned S-15 solutions is also available for all types of custom switches however demanding your application may be.

HOW TO ORDER



NOTES:

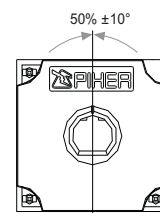
- (1) 2 positions versions only available in BULK packaging
V06 versions will be studied case by case
- (2) Horizontal adjust versions will be studied case by case
Shafts are not available mounted to the switch and should be ordered separately

HOW TO ORDER CUSTOM DRAWING

S-15 T S + DRAWING NUMBER (Max. 16 digits)

This way of ordering should be used for options which are not included in the "How to order" standard and optional extras.

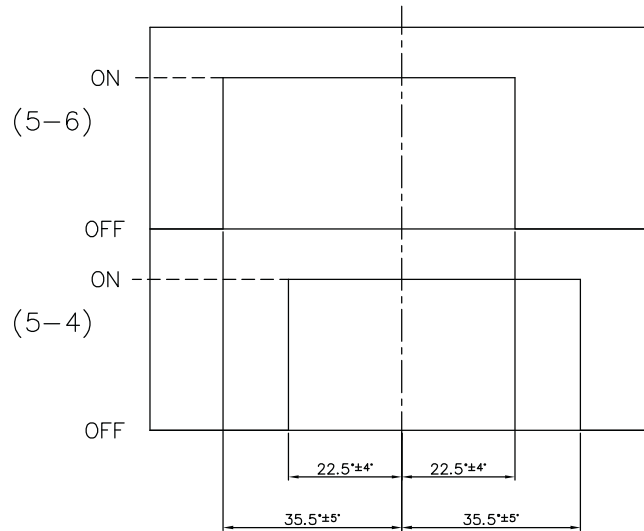
STANDARD WIPER POSITION



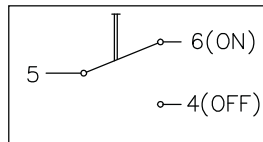
Please note that the features and specifications of custom products are to be used as general guidelines only

2 POSITIONS SWITCH SEQUENCE

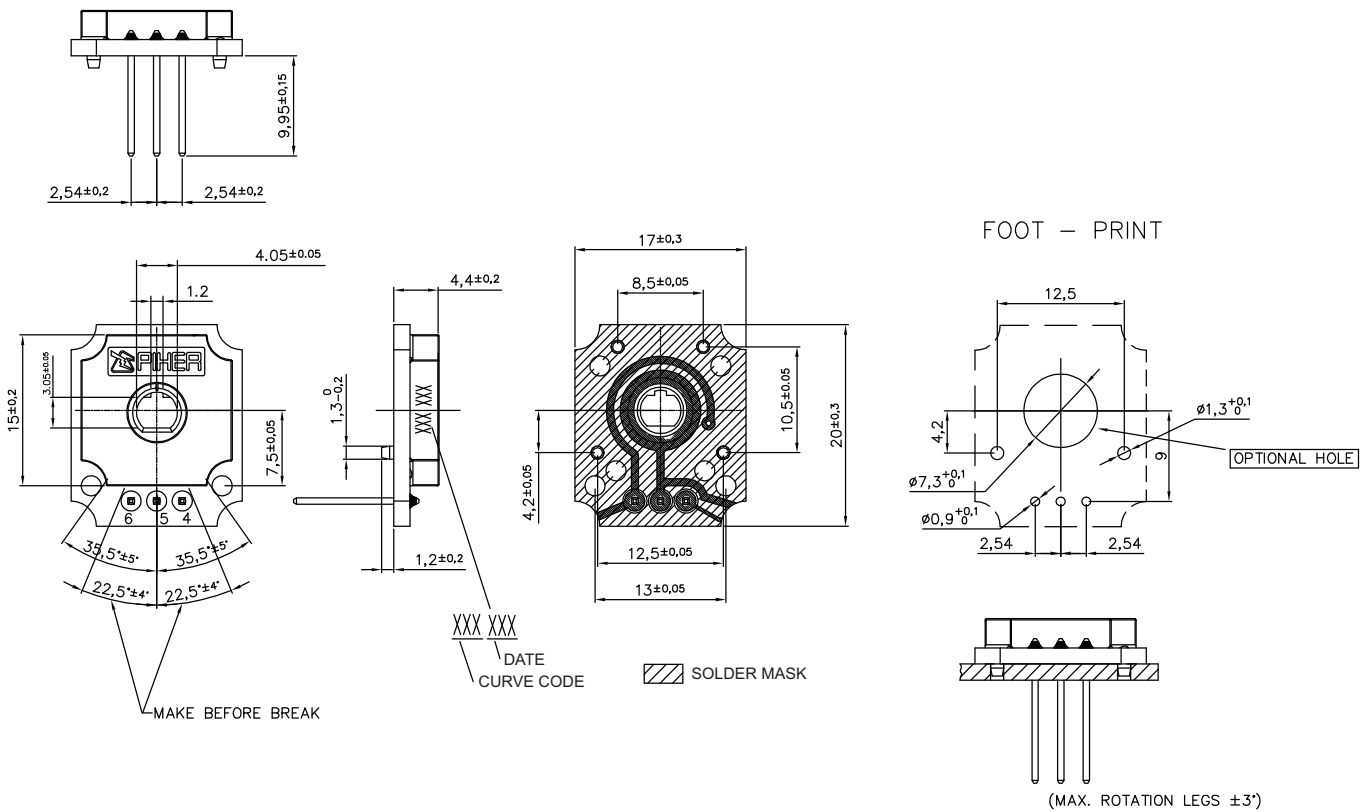
SWITCH SEQUENCE



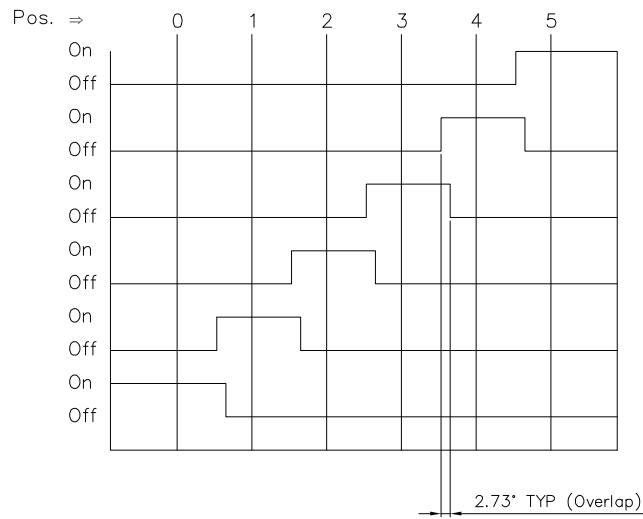
CIRCUIT DIAGRAM



2 POSITIONS SWITCH DRAWINGS

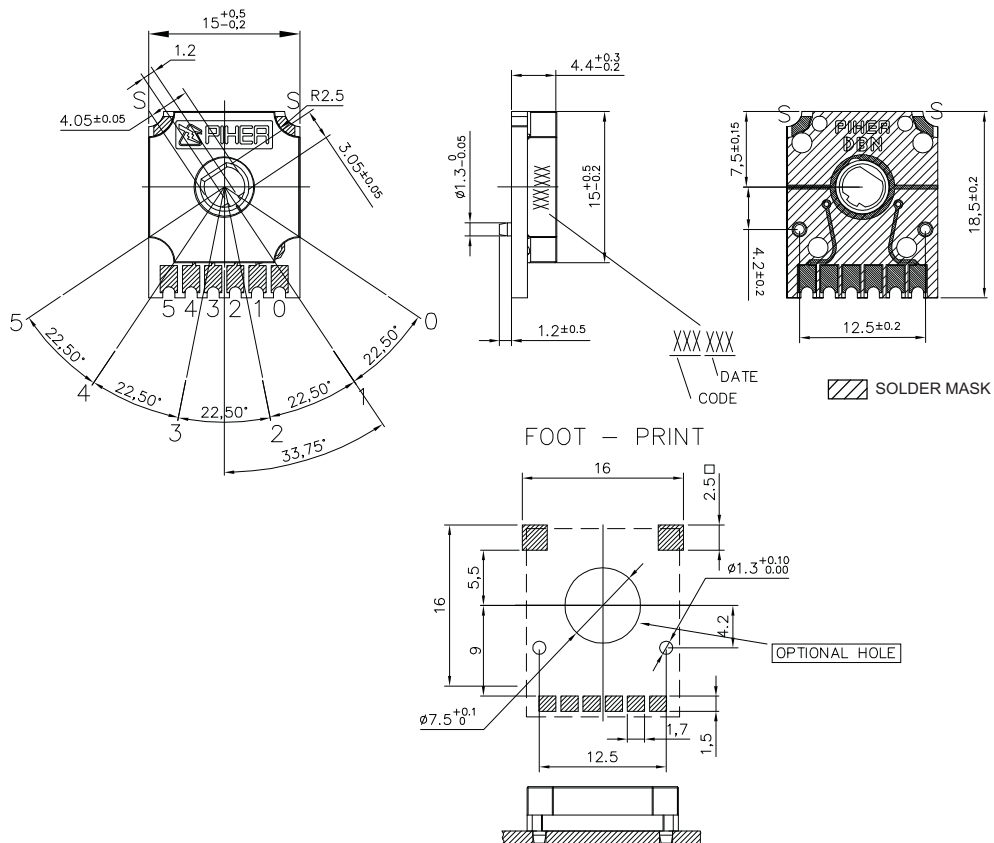


6 POSITIONS SWITCH SEQUENCE

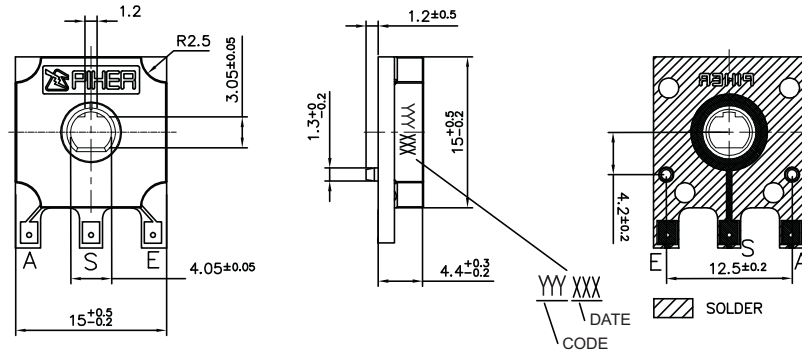


ALL ANGLES REFERRED TO SHIPPING POSITION			
POSITIVE ANGLE INDICATES CW			
POS.	INITIAL ANGLE	END ANGLE	TOLERANCE
0	-42.5	-12	±5°
1	-14.72	10.5	±5°
2	7.78	33	±5°
3	30.28	55.5	±5°
4	52.78	78	±5°
5	75.28	110	±5°

6 POSITIONS SWITCH DRAWINGS



HORIZONTAL ADJUST - VERTICAL MOUNT*

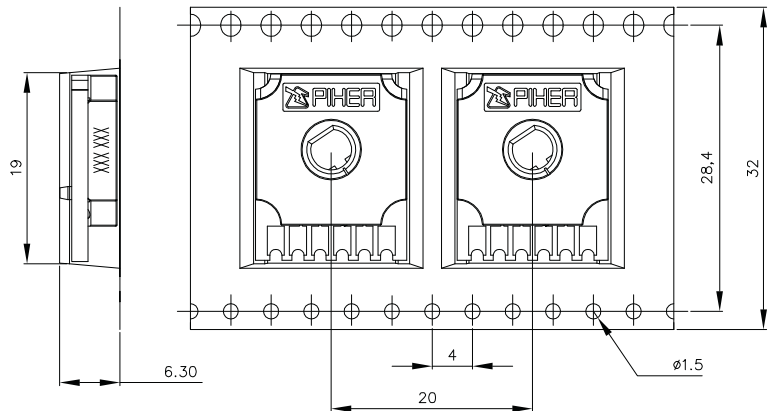
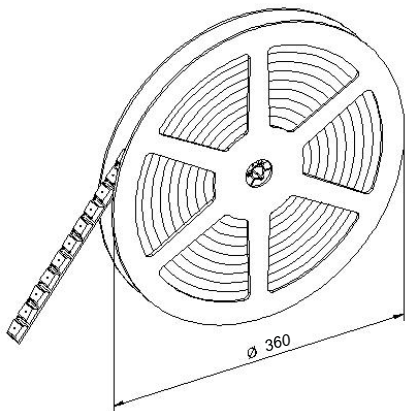


* This drawing is just an example, horizontal adjust versions will be studied case by case

PACKAGING

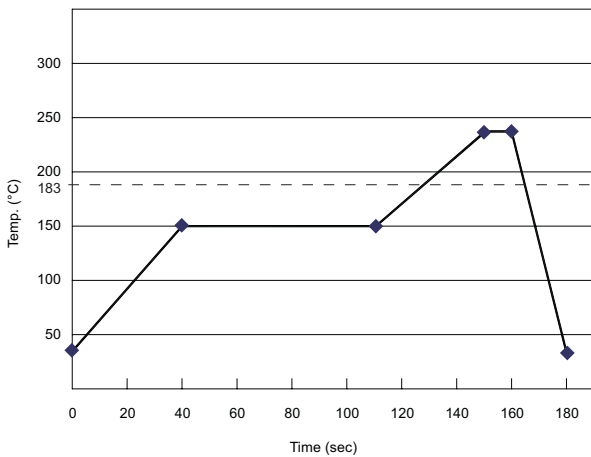
Bulk (2 positions version)

Tape on reel (6 positions version)



RECOMMENDED REFLOW PROFILE (SMD types)

SnPb Reflow Profile



Lead Free Reflow Profile

